

Fuse cutout Series

Drop type fuse and load drop type fuse is the outdoor high voltage protective device. It equipment in distribution transformer high voltage side or distribution line branch trunk road, as the transformer and line short road, overload protection and points, closing load current. Drop type fuse by the insulating bracket and the fuse tube is composed of two parts, the static contact is mounted in the insulated bracket at both ends, moving contact mounting of the fuse tube ends of wire tube comprises a layer of arc tube and an outer layer of epoxy glass tube. Load dropping type fuse increased elastic auxiliary contact and arc extinguishing cover, with points, closing load current.

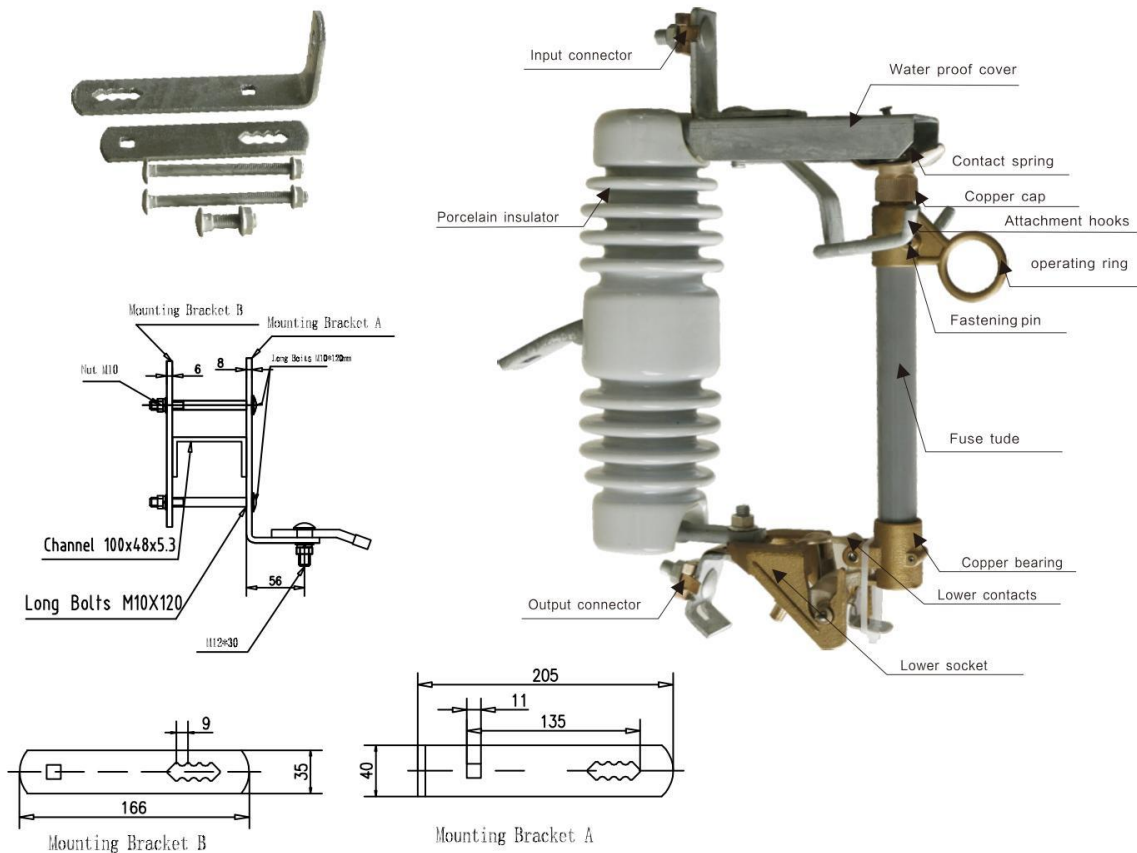
Drop type fuse in normal operation, the fuse tube with fuse tension after the formation of the closed position. When a fault occurs, fault current that the fuse is fused quickly, and the formation of arc, arc tube by arc burning, decomposition of the large amounts of gas, so that the tube is formed inside the high pressure, and along the pipeline to form longitudinal blow, arc is rapidly stretched out. After the fuse wire is broken, the lower moving contact without pulling down, the locking mechanism to release the fuse tube, fuse tube falls, formed apparent breaking position. When the need to pull the load with the insulating rod, moving contact, when active, static help contact still ran contact, continue to use the insulating rod pulling contact auxiliary contact separation, also, in the auxiliary contacts between arc, arc in the arc cover slit is elongated, and arc extinguishing cover to generate gas, in the electrical flow through zero, the extinction of arc.

1. Normal conditions of use:

- a) Environmental temperature not higher than 40DEG C +, not lower than - 40DEG C);
- b) Altitude does not exceed 1000m;
- c) The maximum wind speed of no more than 35m / S;
- d) Does not exceed 8degree earthquake intensity.

2. The product is not applicable to the following locations:

- a) Combustion or explosion risk areas;
- b) With severe vibration or shock sites;
- c) A conductive, chemical gas and serious pollution, salt fog area.



Fuse cutout Series 11 ~36kV



11-15KV



11-15KV



11-15KV(F)



24-27KV



24-27KV(F)



33-36KV(F)



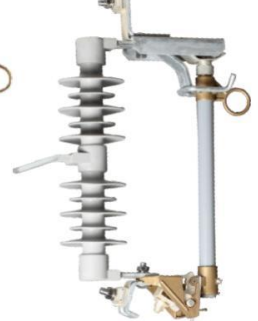
33-36KV



11-15KV



24-27KV



11-15KV



11-15KV



24-27KV



24-27KV(F)



24-27KV



33-36KV



33-36KV(F)



33-36KV



33-36KV(F)



24-27KV

Fuse cutout Series 12~36kV



11~15KV

Type	Rated voltage (kv)	Rated current (A)	Breaking current (KA)	Impulse voltage (BIL)	Power frequency withstand voltage	Leakage distance (MM)	Weight (KG)	Dimensions (MM)
RW12-11-15	11~15	100	10	110	40	240	7	420×370 ×135
RW12-11-15	11~15	200	12	110	40	240	7.5	

11~15kV

Type	Rated voltage (kv)	Rated current (A)	Breaking current (KA)	Impulse voltage (BIL)	Power frequency withstand voltage	Leakage distance (MM)	Weight (KG)	Dimensions (MM)
RW12-11-15	11~15	100	10	110	40	372	8.5	520×370 ×135MM
RW12-11-15	11~15	200	12	110	40	372	9	

11~15KV (F)

Type	Rated voltage (kv)	Rated current (A)	Breaking current (KA)	Impulse voltage (BIL)	Power frequency withstand voltage	Leakage distance (MM)	Weight (KG)	Dimensions (MM)
RW12-11-15	11~15	100	10	110	40	372	8.5	580×400 ×150MM
RW12-11-15	11~15	200	12	110	40	372	9	

24~27KV

Type	Rated voltage (kv)	Rated current (A)	Breaking current (KA)	Impulse voltage (BIL)	Power frequency withstand voltage	Leakage distance (MM)	Weight (KG)	Dimensions (MM)
RW12-24-27	24~27	100	10	125	65	530(480)	11	525×380 ×170MM
RW12-24-27	24~27	200	12	125	65	530(480)	11.5	

24~27kV (F)

Type	Rated voltage (kv)	Rated current (A)	Breaking current (KA)	Impulse voltage (BIL)	Power frequency withstand voltage	Leakage distance (MM)	Weight (KG)	Dimensions (MM)
RW12-24-27	24~27	100	10	125	65	530(480)	11	525×380 ×170MM
RW12-24-27	24~27	200	12	125	65	530(480)	11.5	

Fuse cutout Series 12~36kV



33kV~36kV

Type	Rated voltage (kv)	Rated current (A)	Breaking current (A)	Impulse voltage (BIL)	Power frequency withstand voltage	Leakage distance (MM)	Weight (KG)	Dimensions (MM)
RW12-33-36(F)/100	33~36	100	10000	170	70	660(720)	15.5	640(680) × 450 × 170
RW12-33-36(F)/200	33~36	200	12500	170	70	660(720)	16	

33kV~36kV

Type	Rated voltage (kv)	Rated current (A)	Breaking current (A)	Impulse voltage (BIL)	Power frequency withstand voltage	Leakage distance (MM)	Weight (KG)	Dimensions (MM)
RW12-33-36/100	33~36	100	10000	170	70	660(720)	14.5(15)	620(660) × 380 × 170
RW12-33-36/200	33~36	200	12500	170	70	660(720)	15(15.5)	

11~15kV

Type	Rated voltage (kv)	Rated current (A)	Breaking current (A)	Impulse voltage (BIL)	Power frequency withstand voltage	Leakage distance (MM)	Weight (KG)	Dimensions (MM)
RW10-11-15/100	11~15	100	10000	110	40	372	8.5	520 × 370 × 135
RW10-11-15/200	11~15	200	12500	110	40	372	9	

24~27KV

Type	Rated voltage (kv)	Rated current (A)	Breaking current (A)	Impulse voltage (BIL)	Power frequency withstand voltage	Leakage distance (MM)	Weight (KG)	Dimensions (MM)
RW10-24-27/100	24~27	100	10000	125	65	480	10.5	525 × 380 × 170
RW10-24-27/200	24~27	200	12500	125	65	480	11	

11~15KV

Type	Rated voltage (kv)	Rated current (A)	Breaking current (A)	Impulse voltage (BIL)	Power frequency withstand voltage	Leakage distance (MM)	Weight (KG)	Dimensions (MM)
HRW12-11-15/100	11~15	100	10000	110	45	372	5	520 × 400 × 140
HRW12-11-15/200	11~15	200	12500	110	45	372	5.5	

Fuse cutout Series 12~36kV



11kV~15kV

Type	Rated voltage (kv)	Rated current (A)	Breaking current (A)	Impulse voltage (BIL)	Power frequency withstand voltage	Leakage distance (MM)	Weight (KG)	Dimensions (MM)
HRW12-11-15(F)100	11~15	100	10000	110	45	480	6	480×480 ×145
HRW12-11-15(F)200	11~15	200	12500	110	45	480	6.5	

11kV~15kV

Type	Rated voltage (kv)	Rated current (A)	Breaking current (A)	Impulse voltage (BIL)	Power frequency withstand voltage	Leakage distance (MM)	Weight (KG)	Dimensions (MM)
HRW12-11-15/100	11~15	100	10000	110	45	480	6	440×400 ×145
HRW12-11-15/200	11~15	200	12500	110	45	480	6.5	

24~27kV

Type	Rated voltage (kv)	Rated current (A)	Breaking current (A)	Impulse voltage (BIL)	Power frequency withstand voltage	Leakage distance (MM)	Weight (KG)	Dimensions (MM)
HRW12-24-27/100	24~27	100	10000	150	70	660	6	520×370 ×135
HRW12-24-27/200	24~27	200	12500	150	70	660	6.5	

24~27KV

Type	Rated voltage (kv)	Rated current (A)	Breaking current (A)	Impulse voltage (BIL)	Power frequency withstand voltage	Leakage distance (MM)	Weight (KG)	Dimensions (MM)
HRW10-24-27(F)100	24~27	100	10000	150	70	660	6	510×400 ×145
HRW10-24-27(F)200	24~27	200	12500	150	70	660	6.5	

24~27kV

Type	Rated voltage (kv)	Rated current (A)	Breaking current (A)	Impulse voltage (BIL)	Power frequency withstand voltage	Leakage distance (MM)	Weight (KG)	Dimensions (MM)
HRW10-24-27/100	24~27	100	10000	150	70	660		520×400 ×140
HRW10-24-27/200	24~27	200	12500	150	70	660		

Fuse cutout Series 12~36kV



33kV~36kV

Type	Rated voltage (kv)	Rated current (A)	Breaking current (A)	Impulse voltage (BIL)	Power frequency withstand voltage	Leakage distance (MM)	Weight (KG)	Dimensions (MM)
HRW12-33-36/100	33~36	100	10000	195	85	1080	6	620 × 360 × 135
HRW12-33-36/200	33~36	200	12500	195	85	1080	6.5	

33kV~36kV

Type	Rated voltage (kv)	Rated current (A)	Breaking current (A)	Impulse voltage (BIL)	Power frequency withstand voltage	Leakage distance (MM)	Weight (KG)	Dimensions (MM)
HRW12-33-36(F)/100	33~36	100	10000	195	85	1080	6.5	670 × 380 × 135
HRW12-33-36(F)/200	33~36	200	12500	195	85	1080	7	

33kV~36kV

Type	Rated voltage (kv)	Rated current (A)	Breaking current (A)	Impulse voltage (BIL)	Power frequency withstand voltage	Leakage distance (MM)	Weight (KG)	Dimensions (MM)
HRW12-33-36/100	33~36	100	10000	195	85	825	6.5	615 × 400 × 145
HRW12-33-36/200	33~36	200	12500	195	85	825	7	

24~27KV

Type	Rated voltage (kv)	Rated current (A)	Breaking current (A)	Impulse voltage (BIL)	Power frequency withstand voltage	Leakage distance (MM)	Weight (KG)	Dimensions (MM)
HRW12-33-36(F)/100	24~27	100	10000	195	85	825	7	655 × 480 × 145
HRW12-33-36(F)/200	24~27	200	12500	195	85	825	7.5	

24~27KV

Type	Rated voltage (kv)	Rated current (A)	Breaking current (A)	Impulse voltage (BIL)	Power frequency withstand voltage	Leakage distance (MM)	Weight (KG)	Dimensions (MM)
RW-24-27/100	24~27	100	10000	125	65	480	10.5	525 × 380 × 170
RW-24-27/200	24~27	200	12500	125	65	480	11	

"KB, KU, KS" type fuses links belong



"KB, KU, KS" type fuses links belong to "K" and "T" type fuses, it has general type, universal type and screw type available according to IEC-282 standard. The product drop-out type fuse of 11~36V grade.

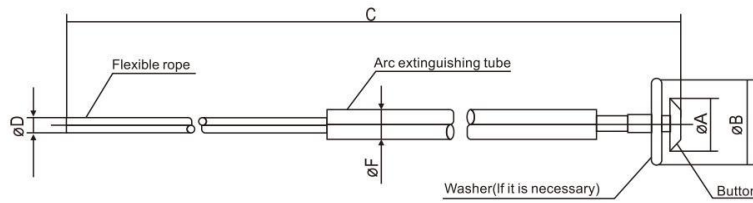
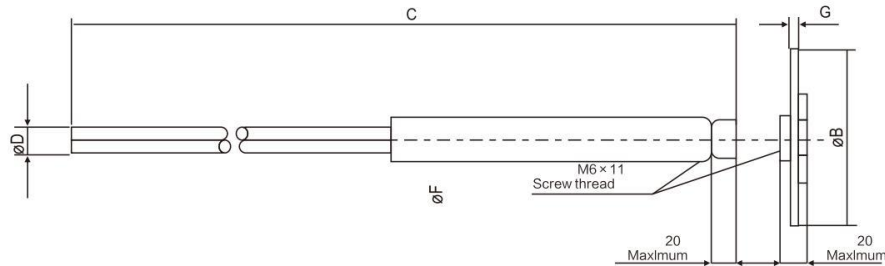


Fig. B. Ta button type



Rated current(A)	Dimension(mm)					Quantity/carton
	A	B	C	D	F	
1至(to)25	12.5 ± 0.2	19.0 ± 0.2	Note 1	2.0	6.5	500
30至(to)40	12.5 ± 0.2	19.0 ± 0.2	Note 1	3.0	8.0	500
50至(to)100	19.0 ± 0.3	Not applicable	Note 1	5.0	10.0	250
140至(to)200	19.0 ± 0.3	Not applicable	Note 1	7.0	12.0	150